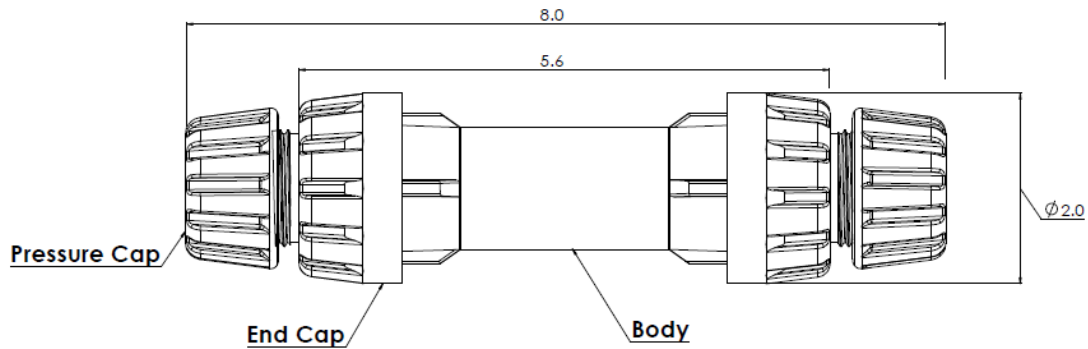


# Technical Data Sheet

## Direct Burial and Submersible Butt Splice Connector



\*\* All dimensions are in inches unless otherwise specified

### Size Range:

Connector → 1/0 - 2/0

Insulation → OD ≤ 0.56"

### Material:

Body → High Temperature Thermoplastic

Insert → Aluminum Alloy

### Testing:

Dielectric Withstand tested up to 5000 V for 1 min with only .82 mA leakage. Pass based on UL 486A-B criteria.

Tensile Pull tested up to 300 lbs. Pass based on UL 486A-B criteria.

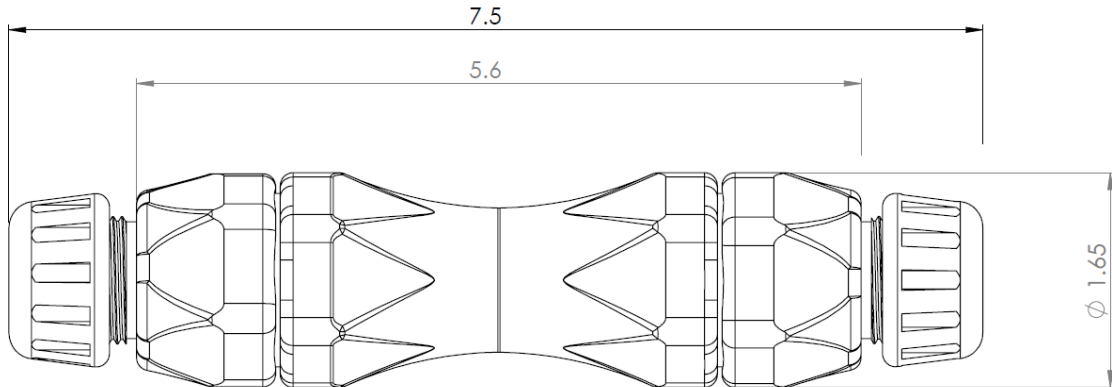
Passed Impact test based on UL 486A-B criteria.

Submergence test 1 foot under water for 24 hours with no water intrusion.

Static heat tested up to 300 Amps while maintaining a temperature of < 120 °C

# Technical Data Sheet

## Direct Burial and Submersible Butt Splice Connector



\*\* All dimensions are in inches unless otherwise specified

### Size Range:

Connector → 4 AWG - 2 AWG

Insulation → OD ≤ 0.45"

### Material:

Body → High Temperature Thermoplastic

Insert → Aluminum Alloy

### Testing:

Dielectric Withstand tested up to 3400 V for 1 min with only .40 mA leakage. Pass based on UL 486A-B criteria.

Tensile Pull tested up to 200 lbs. Pass based on UL 486A-B criteria.

Impact test pass based on UL 486A-B criteria.

Submergence test 1 foot under water for 24 hours with no water intrusion.

Static heat tested up to 190 Amps while maintaining a temperature of < 120 °C